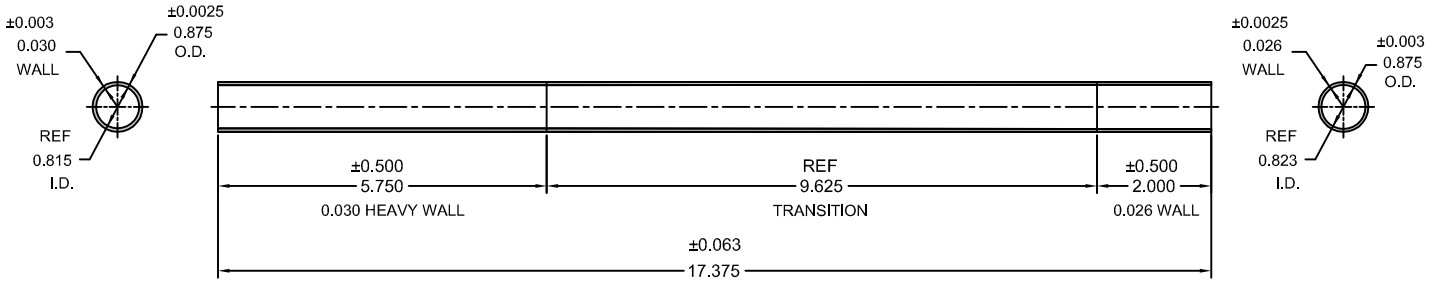
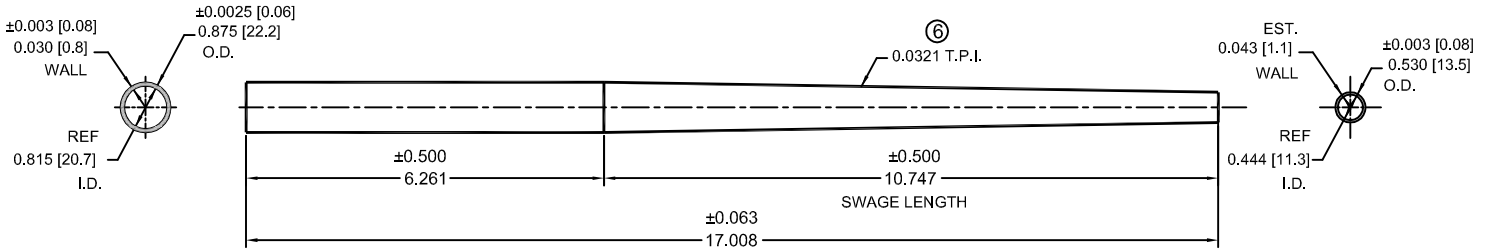


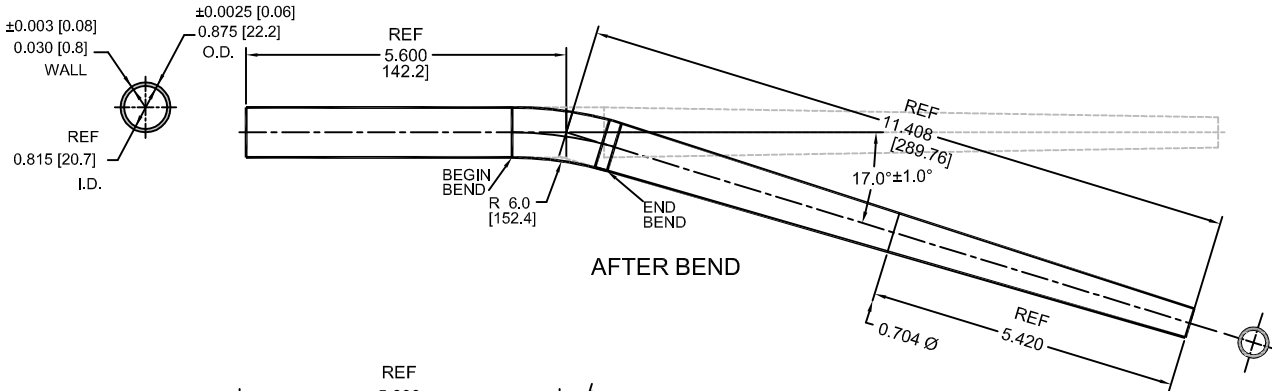
CHAIN STAY



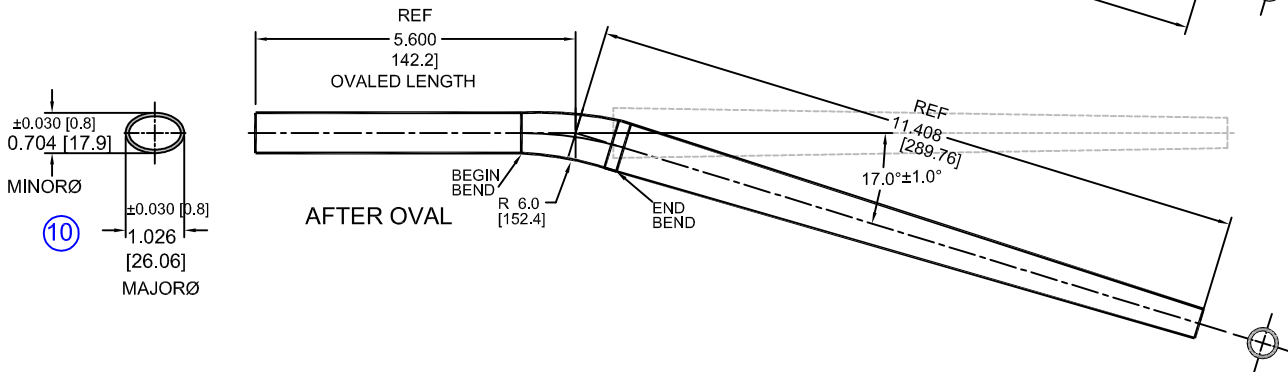
SINGLE BUTTED BLANK



AFTER TRIM AND SWAGE



AFTER BEND



AFTER OVAL

NOTES

⑩ PRESS DIE PD-004

- 9 SHIPPING PACKAGE: PBST30
- 8 SURFACE COATING: OIL
- 7 SURFACE FINISH: POLISHED
- ⑥ SWAGE DIE SDD223
- 5 STRAIGHTNESS 0.010"/FT
- 4 TIR: 0.060
- 3 HARDNESS: Rc 30-35
- 2 MATERIAL: 6330
- 1 PART MADE TO TRUE TEMPER PROCEDURE AND TESTS STANDARDS.

BLANK DEFINITION

BKMTCS1BLANK 63307920
BLANK ROUTING CHECKED 4-26-13
 MD 0.875 X 0.030 / 0.026 X 24.62 FEET
 MAC STRAIGHTEN
 SCOTCHMAN SAW CUT 16 PCS @ 17.375 INCHES

C	ECR 14013 ADD PRESS DIE NUMBER	AR	4/24/14
B	UPDATED NEW DRAWING FORMAT	AR	5/20/13
A	INITIAL PRODUCTION RELEASE	AR	12/22/04
REV	CHANGE	BY	DATE

TRUE TEMPER 8275 TOURNAMENT DRIVE SUITE 200 MEMPHIS, TN 38125 (901) 746-2000	
DRAWN BY: A. RANDOLPH CORPORATE B. HULL / D. FLORY MFG. ENGINEERING	DESCRIPTION: S & M BIKE BLACK MARKET BRAND CHAIN STAY PART FAMILY: BKMTCS1
PLANT MANAGEMENT	RFQ: 1033 DRAWING NUMBER: AST-29-04
QUALITY ASSURANCE	TOLERANCES (EXCEPT AS NOTED) REVISION
DATE: 11/12/04	DECIMAL .X +/- 0.125 .XX +/- 0.063 .XXX +/- 0.002
SCALE: NONE	STEP LOCATION (FROM TIP) +/- 0.063 (NON ACCUMULATIVE)
ECR NUMBER: 14013	
SIZE/SHEET: A/1.1	C
THIS DOCUMENT IS THE PROPERTY OF TRUE TEMPER SPORTS. THE CONTENTS OF THIS DOCUMENT ARE CONFIDENTIAL AND CONSTITUTE TRADE SECRETS PROPRIETARY TO TRUE TEMPER SPORTS. NEITHER THIS DOCUMENT NOR ITS CONTENTS SHALL BE DISCLOSED TO ANY UNAUTHORIZED PERSON OR COPIED, OR PUBLISHED WITHOUT TRUE TEMPER SPORTS PRIOR WRITTEN CONSENT.	